



INDUSTRIAL PAILS

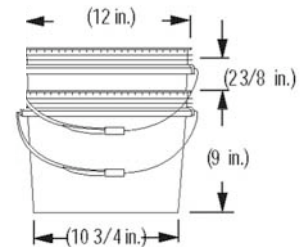
Head Opening = 12 " diameter

1328 (3 1/4 gal.)

Pail 61968

- Lid 63334 (Snap-on)
- Lid 63479 (Rubber Gasket T.S.)
- Lid 63482 (Liquid Gasket T.S.)
- Lid 60367 (Snap-on T.S.)

CAPACITY		PACKAGING	
litres	US gal.	qty/BDL	qty/PLT
		132	264
		qty/CTN	qty/PLT
12.67	3.35	100	1,800
12.50	3.30	68	1,224
12.65	3.35	66	1,188
12.40	3.28	72	1,296

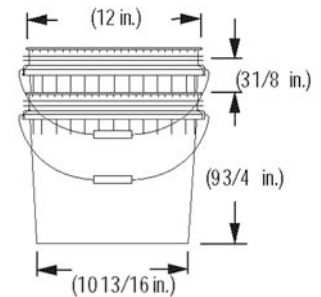


1432 (3 1/2 gal.)

Pail 61975

- Lid 63334 (Snap-on)
- Lid 63479 (Rubber Gasket T.S.)
- Lid 63482 (Liquid Gasket T.S.)
- Lid 60367 (Snap-on T.S.)

CAPACITY		PACKAGING	
litres	US gal.	qty/BDL	qty/PLT
		144	288
		qty/CTN	qty/PLT
14.00	3.70	100	1,800
13.18	3.49	68	1,224
13.47	3.56	66	1,188
13.40	3.54	72	1,296

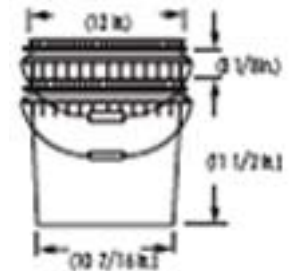


1533 (4 gal.)

Pail 61984

- Lid 63334 (Snap-on)
- Lid 63479 (Rubber Gasket T.S.)
- Lid 63482 (Liquid Gasket T.S.)
- Lid 60367 (Snap-on T.S.)

CAPACITY		PACKAGING	
litres	US gal.	qty/BDL	qty/PLT
		132	264
		qty/CTN	qty/PLT
15.97	4.21	100	1,800
15.75	4.17	68	1,224
16.10	4.26	66	1,188
16.00	4.23	72	1,296

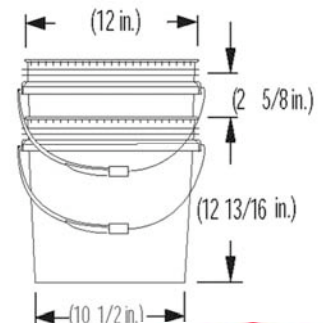


1738 (4 3/4 gal.)

Pail 61977

- Lid 63334 (Snap-on)
- Lid 63482 (Liquid Gasket T.S.)
- Lid 63479 (Rubber Gasket T.S.)
- Lid 63484 (Liquid Gasket, rib. T.S.)
- Lid 60367 (Snap-on T.S.)

CAPACITY		PACKAGING	
litres	US gal.	qty/BDL	qty/PLT
		144	288
		qty/CTN	qty/PLT
18.27	4.83	100	1,800
18.38	4.85	66	1,188
18.00	4.76	68	1,224
18.60	4.92	56	1,008
18.20	4.84	72	1,296





INDUSTRIAL PAILS

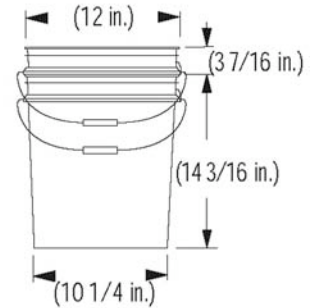
Head Opening = 12 " diameter

4590 (5 gal.)

Pail 61949

- Lid 6333 (Snap-on)
- Lid 63482 (Liquid Gasket T.S.)
- Lid 63485 (Snap-on Top Tite)
- Lid 63479 (Rubber Gasket T.S.)
- Lid 60367 (Snap-on T.S.)
- Lid 63470 (Rubber Gasket T.S.)
- Lid 63335 (Rubber Gasket T.S.)

CAPACITY		PACKAGING	
litres	US gal.	qty/BDL	qty/PLT
		120	240
		qty/CTN	qty/PLT
19.57	5.17	100	1,800
19.63	5.19	66	1,188
19.52	5.16	66	1,188
19.26	5.01	68	1,224
19.56	5.17	72	1,296
19.60	5.18	64	1,152
19.70	5.20	70	1,260

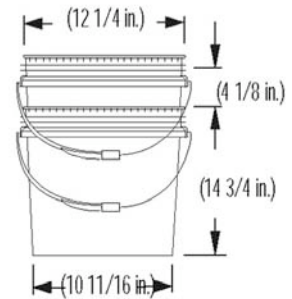


4222 (5 1/4 gal.)

Pail 61950

- Lid 63334 (Snap-on)
- Lid 63482 (Liquid Gasket T.S.)
- Lid 63485 (Snap-on, Top Tite)
- Lid 63479 (Rubber Gasket T.S.)
- Lid 60367 (Snap-on T.S.)

CAPACITY		PACKAGING	
litres	US gal.	qty/BDL	qty/PLT
		96	192
		qty/CTN	qty/PLT
21.50	5.68	100	1,800
21.50	5.68	66	1,188
22.00	5.81	66	1,188
21.10	5.58	68	1,224
21.45	5.67	72	1,296



5251 (6 gal.)

Pail 63465

- Lid 63334 (Snap-on)
- Lid 63482 (Liquid Gasket T.S.)
- Lid 63479 (Rubber Gasket T.S.)
- Lid 60367 (Snap-on T.S.)

CAPACITY		PACKAGING	
litres	US gal.	qty/BDL	qty/PLT
		84	168
		qty/CTN	qty/PLT
25.16	6.65	100	1,800
25.29	6.68	66	1,188
25.40	6.71	68	1,224
25.27	6.68	72	1,296

